



Size measurement

Date: 03.12.2015

Article: 0805 - Women's Micro Fleece Cardigan

Sample: 1st approval sample

Size		XS	S	M	L	XL	2XL	3XL	4XL	5XL	6XL	Sample	Difference	Tolerance
A	½ Chest, Armpit to Armpit	49,0	52,0	55,0	58,0	61,0	64,0	68,0	72,0	77,0	82,0	56	1,00	+/-1
BB	HPS to Waist	40,0	41,0	42,0	43,0	44,0	45,0	46,0	47,0	48,0	49,0	42	0,00	+/-0,5
B	½ Waist	45,0	48,0	51,0	54,0	57,0	60,0	64,0	68,0	73,0	78,0	50,5	-0,50	+/-1
D	½ Bottom	42,0	45,0	48,0	51,0	54,0	57,0	61,0	65,0	70,0	75,0	50	2,00	+/-1
E	Length from HPS, front	64,0	66,0	68,0	70,0	72,0	74,0	76,0	78,0	80,0	82,0	66	-2,00	+/-1
E1	Length from HPS, back	63,0	65,0	67,0	69,0	71,0	73,0	75,0	77,0	79,0	81,0	66,5	-0,50	+/-1
FF	HPS to front width	16,50	17,25	18,00	18,75	19,50	20,25	21,00	21,75	23,00	24,25	18,00	0,00	+/-0,5
F	Front Width	33,0	34,5	36,0	37,5	39,0	40,5	42,5	44,5	47,0	49,5	36,5	0,50	+/-1
GG	HPS to back width	16,50	17,25	18,00	18,75	19,50	20,25	21,00	21,75	23,00	24,25	18	0,00	+/-0,5
G	Back Width	35,0	36,5	38,0	39,5	41,0	42,5	44,5	46,5	49,0	51,5	37	-1,00	+/-1
J1	Armhole Depth from HPS	24,10	25,05	26,00	26,95	27,90	28,85	29,80	30,75	32,20	33,65	27	1,00	+/-0,5
K	Sleeve Length, LS	72,0	73,5	75,0	76,5	78,0	79,5	81,0	82,5	84,0	85,5	73,5	-1,50	+/-1
L	½ Upper arm width	21,00	22,00	23,00	24,00	25,00	26,00	27,25	28,50	30,00	31,50	23	0,00	+/-0,5
M	½ Elbow Width	15,50	16,25	17,00	17,75	18,50	19,25	20,10	20,95	21,95	22,95	16,5	-0,50	+/-0,5
N	½ Sleeve Hem, LS	10,0	10,5	11,0	11,5	12,0	12,5	13,0	13,5	14,0	14,5	11	0,00	+/-0,2
O	Neck Width	19,6	20,3	21,0	21,7	22,4	23,1	23,8	24,5	25,2	25,9	21	0,00	+/-0,5
P	Neck Drop Front from HPS	7,2	7,6	8,0	8,4	8,8	9,2	9,6	10,0	10,4	10,8	8,5	0,50	+/-0,2
Q	Neck Drop Back from HPS	2,0	2,0	2,0	2,0	2,0	2,0	2,0	2,0	2,0	2,0	2	0,00	+/-0,2
R	Collar, CB	8,0	8,0	8,0	8,0	8,0	8,0	8,0	8,0	8,0	8,0	7,5	-0,50	+/-0,2
RF	Collar, CF	8,0	8,0	8,0	8,0	8,0	8,0	8,0	8,0	8,0	8,0	7,5	-0,50	+/-0,2
R4	Facing width	16,0	17,0	17,0	18,0	18,0	19,0	19,0	20,0	20,0	20,0	17	0,00	+/-0,5
R5	Facing height	8,0	9,0	9,0	9,0	9,0	10,0	10,0	10,0	10,0	10,0	9,5	0,50	+/-0,5
X	Pocket opening	14,0	15,0	15,0	16,0	16,0	17,0	17,0	18,0	18,0	18,0	15	0,00	+/-0,5
Y	Pocket placement from HPS	42,0	43,0	44,0	45,0	46,0	47,0	48,0	49,0	50,0	51,0	42,5	-1,50	+/-1
Y1	Pocket placement from CF at top	17,0	17,5	18,0	18,5	19,0	19,5	20,0	20,5	21,0	21,5	17	-1,00	+/-0,5
Y1	Pocket placement from CF at bottom	17,0	17,5	18,0	18,5	19,0	19,5	20,0	20,5	21,0	21,5	17	-1,00	+/-0,5

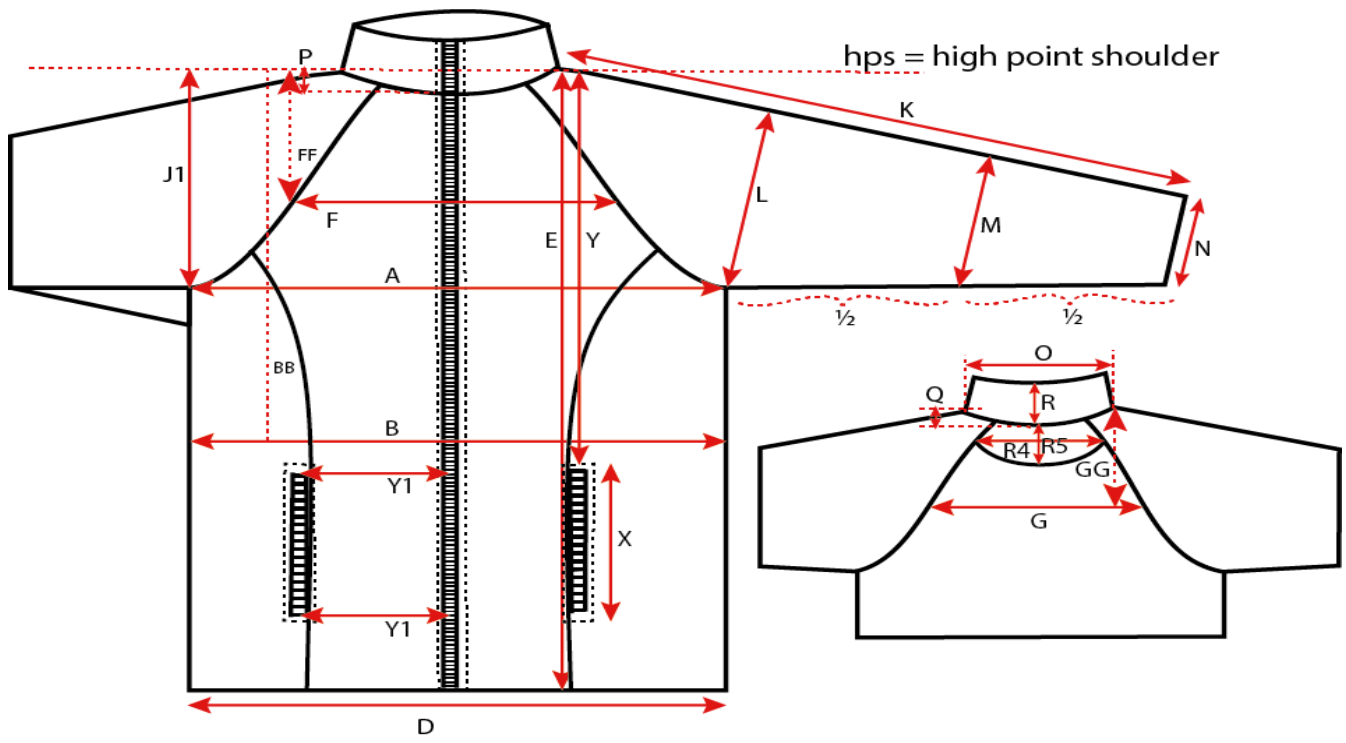
All measurements are in centimeters (cm.)



Size measurement

Article: 0805 - Women's Micro Fleece Cardigan

How to measure - not for design





Size measurement

Date: 16.12.2015

Article: 0805 - Women's Micro Fleece Cardigan

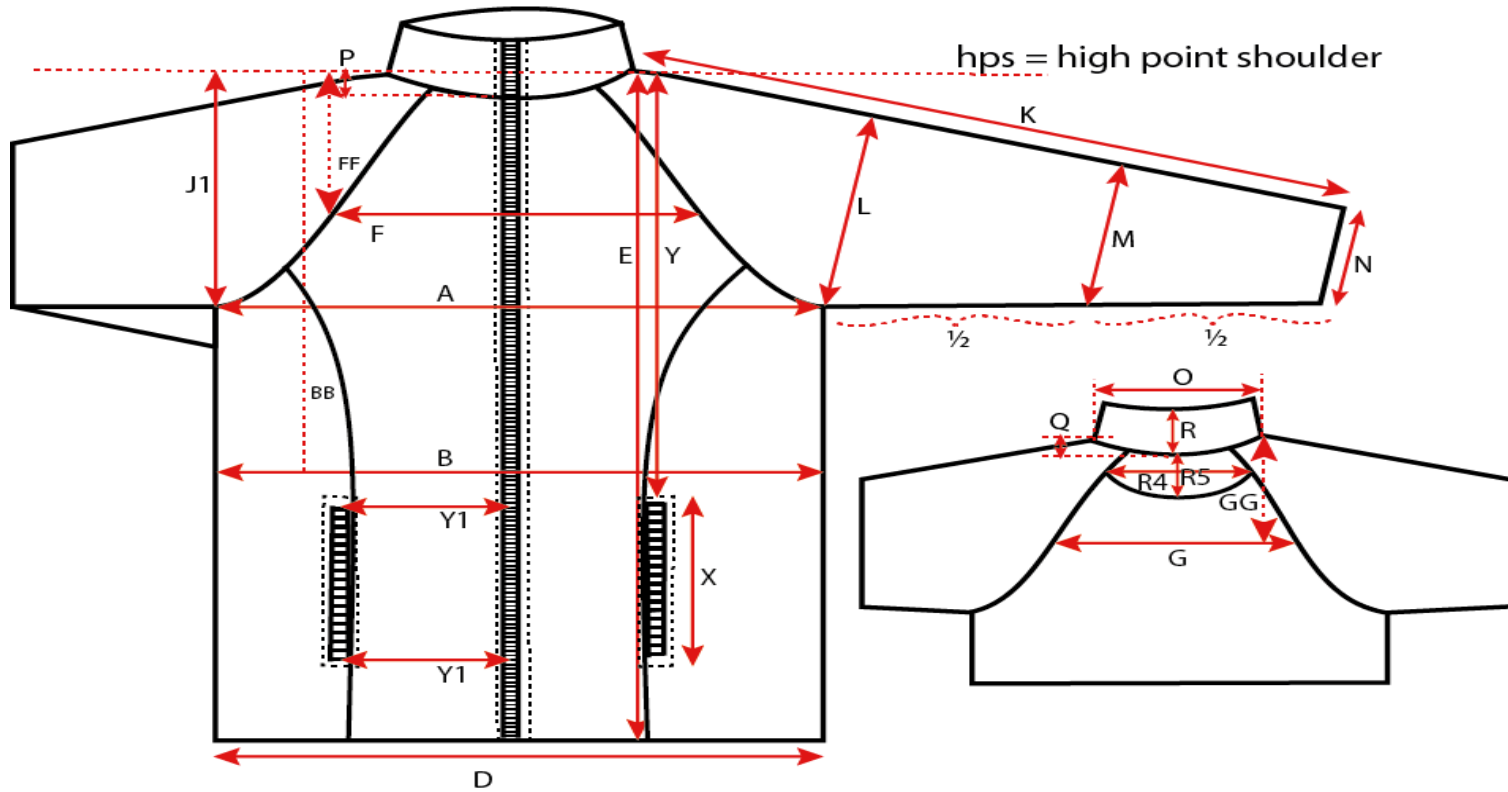
Sample: 2nd approval sample

Size		XS	S	M	L	XL	2XL	3XL	4XL	5XL	6XL	Sample Size M	Difference	Sample Size 2XL	Difference	Tolerance
A	½ Chest, Ampit to Ampit	49,0	52,0	55,0	58,0	61,0	64,0	68,0	72,0	77,0	82,0	57	2,00	69,00	1,00	+/-1
BB	HPS to Waist	40,0	41,0	42,0	43,0	44,0	45,0	46,0	47,0	48,0	49,0	42	0,00	46,00	0,00	+/-0,5
B	½ Waist	45,0	48,0	51,0	54,0	57,0	60,0	64,0	68,0	73,0	78,0	51	0,00	64,00	0,00	+/-1
D	½ Bottom	42,0	45,0	48,0	51,0	54,0	57,0	61,0	65,0	70,0	75,0	49	1,00	63,00	2,00	+/-1
E	Length from HPS, front	64,0	66,0	68,0	70,0	72,0	74,0	76,0	78,0	80,0	82,0	67,5	-0,50	76,00	0,00	+/-1
E1	Length from HPS, back	63,0	65,0	67,0	69,0	71,0	73,0	75,0	77,0	79,0	81,0	67,5	0,50	76,00	1,00	+/-1
FF	HPS to front width	16,50	17,25	18,00	18,75	19,50	20,25	21,00	21,75	23,00	24,25	18,00	0,00	21,00	0,00	+/-0,5
F	Front Width	33,0	34,5	36,0	37,5	39,0	40,5	42,5	44,5	47,0	49,5	37,5	1,50	43,50	1,00	+/-1
GG	HPS to back width	16,50	17,25	18,00	18,75	19,50	20,25	21,00	21,75	23,00	24,25	18	0,00	21,00	0,00	+/-0,5
G	Back Width	35,0	36,5	38,0	39,5	41,0	42,5	44,5	46,5	49,0	51,5	39,5	1,50	46,00	1,50	+/-1
J1	Armhole Depth from HPS	24,10	25,05	26,00	26,95	27,90	28,85	29,80	30,75	32,20	33,65	26	0,00	29,80	0,00	+/-0,5
K	Sleeve Length, LS	72,0	73,5	75,0	76,5	78,0	79,5	81,0	82,5	84,0	85,5	75,5	0,50	81,00	0,00	+/-1
L	½ Upper arm width	21,00	22,00	23,00	24,00	25,00	26,00	27,25	28,50	30,00	31,50	23	0,00	27,00	-0,25	+/-0,5
M	½ Elbow Width	15,50	16,25	17,00	17,75	18,50	19,25	20,10	20,95	21,95	22,95	17,5	0,50	21,50	1,40	+/-0,5
N	½ Sleeve Hem, LS	10,0	10,5	11,0	11,5	12,0	12,5	13,0	13,5	14,0	14,5	11,5	0,50	13,50	0,50	+/-0,2
O	Neck Width	19,6	20,3	21,0	21,7	22,4	23,1	23,8	24,5	25,2	25,9	22	1,00	23,80	0,00	+/-0,5
P	Neck Drop Front from HPS	7,2	7,6	8,0	8,4	8,8	9,2	9,6	10,0	10,4	10,8	8,5	0,50	10,50	0,90	+/-0,2
Q	Neck Drop Back from HPS	2,0	2,0	2,0	2,0	2,0	2,0	2,0	2,0	2,0	2,0	2	0,00	2,00	0,00	+/-0,2
R	Collar, CB	8,0	8,0	8,0	8,0	8,0	8,0	8,0	8,0	8,0	8,0	8	0,00	7,50	-0,50	+/-0,2
RF	Collar, CF	8,0	8,0	8,0	8,0	8,0	8,0	8,0	8,0	8,0	8,0	8	0,00	8,00	0,00	+/-0,2
R4	Facing width	16,0	17,0	17,0	18,0	18,0	19,0	19,0	20,0	20,0	20,0	17,5	0,50	18,50	-0,50	+/-0,5
R5	Facing height	8,0	9,0	9,0	9,0	9,0	10,0	10,0	10,0	10,0	10,0	9	0,00	10,00	0,00	+/-0,5

X	Pocket opening	14,0	15,0	15,0	16,0	16,0	17,0	17,0	18,0	18,0	18,0	15	0,00	17,00	0,00	+/-0,5
Y	Pocket placement from HPS	42,0	43,0	44,0	45,0	46,0	47,0	48,0	49,0	50,0	51,0	42,5	-1,50	47,00	-1,00	+/-1
Y1	Pocket placement from CF at top	16,5	17,0	17,5	18,5	19,5	20,5	21,5	22,5	23,5	17	17,00	-0,50	21,50	0,00	+/-0,5
Y1	Pocket placement from CF at bottom	16,5	17,0	17,5	18,5	19,5	20,5	21,5	22,5	23,5	17	17,00	-0,50	21,50	0,00	+/-0,5

All measurements are in centimeters (cm.)

How to measure - not for design



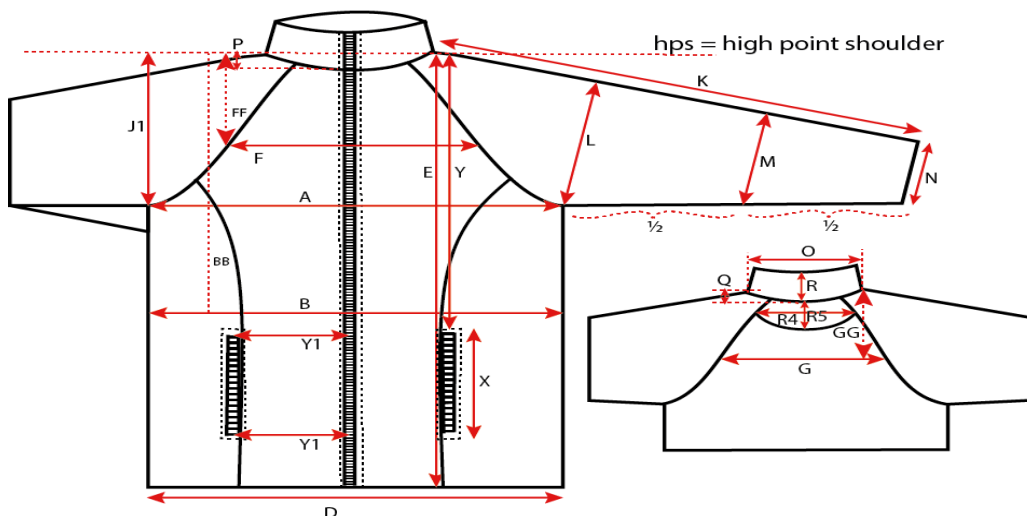
Article: 0805 - Women's Micro Fleece Cardigan

Sample: 3rd approval sample

Size		XS	S	M	L	XL	2XL	3XL	4XL	5XL	6XL	Sample	Difference	Tolerance
A	½ Chest, Armpit to Armpit	49,0	52,0	55,0	58,0	61,0	64,0	68,0	72,0	77,0	82,0	53,5	1,50	+/-1
BB	HPS to Waist	40,0	41,0	42,0	43,0	44,0	45,0	46,0	47,0	48,0	49,0	41	0,00	+/-0,5
B	½ Waist	45,0	48,0	51,0	54,0	57,0	60,0	64,0	68,0	73,0	78,0	48,5	0,50	+/-1
D	½ Bottom	42,0	45,0	48,0	51,0	54,0	57,0	61,0	65,0	70,0	75,0	47	2,00	+/-1
E	Length from HPS, front	64,0	66,0	68,0	70,0	72,0	74,0	76,0	78,0	80,0	82,0	66	0,00	+/-1
E1	Length from HPS, back	63,0	65,0	67,0	69,0	71,0	73,0	75,0	77,0	79,0	81,0	66	1,00	+/-1
FF	HPS to front width	16,50	17,25	18,00	18,75	19,50	20,25	21,00	21,75	23,00	24,25	17,25	0,00	+/-0,5
F	Front Width	33,0	34,5	36,0	37,5	39,0	40,5	42,5	44,5	47,0	49,5	36,5	2,00	+/-1
GG	HPS to back width	16,50	17,25	18,00	18,75	19,50	20,25	21,00	21,75	23,00	24,25	17,25	0,00	+/-0,5
G	Back Width	35,0	36,5	38,0	39,5	41,0	42,5	44,5	46,5	49,0	51,5	37,5	1,00	+/-1
J1	Armhole Depth from HPS	24,10	25,05	26,00	26,95	27,90	28,85	29,80	30,75	32,20	33,65	25	-0,05	+/-0,5
K	Sleeve Length, LS	72,0	73,5	75,0	76,5	78,0	79,5	81,0	82,5	84,0	85,5	73,5	0,00	+/-1
L	½ Upper arm width	21,00	22,00	23,00	24,00	25,00	26,00	27,25	28,50	30,00	31,50	22,5	0,50	+/-0,5
M	½ Elbow Width	15,50	16,25	17,00	17,75	18,50	19,25	20,10	20,95	21,95	22,95	16	-0,25	+/-0,5
N	½ Sleeve Hem, LS	10,0	10,5	11,0	11,5	12,0	12,5	13,0	13,5	14,0	14,5	11	0,50	+/-0,2
O	Neck Width	19,6	20,3	21,0	21,7	22,4	23,1	23,8	24,5	25,2	25,9	20,5	0,20	+/-0,5
P	Neck Drop Front from HPS	7,2	7,6	8,0	8,4	8,8	9,2	9,6	10,0	10,4	10,8	8,5	0,90	+/-0,2
Q	Neck Drop Back from HPS	2,0	2,0	2,0	2,0	2,0	2,0	2,0	2,0	2,0	2,0	1,5	-0,50	+/-0,2
R	Collar, CB	8,0	8,0	8,0	8,0	8,0	8,0	8,0	8,0	8,0	8,0	8	0,00	+/-0,2
RF	Collar, CF	8,0	8,0	8,0	8,0	8,0	8,0	8,0	8,0	8,0	8,0	8	0,00	+/-0,2
R4	Facing width	16,0	17,0	17,0	18,0	18,0	19,0	19,0	20,0	20,0	20,0	17	0,00	+/-0,5
R5	Facing height	8,0	9,0	9,0	9,0	9,0	10,0	10,0	10,0	10,0	10,0	9	0,00	+/-0,5
X	Pocket opening	14,0	15,0	15,0	16,0	16,0	17,0	17,0	18,0	18,0	18,0	15	0,00	+/-0,5
Y	Pocket placement from HPS	42,0	43,0	44,0	45,0	46,0	47,0	48,0	49,0	50,0	51,0	43,5	0,50	+/-1
Y1	Pocket placement from CF at top	16,5	17,0	17,5	18,5	19,5	20,5	21,5	22,5	23,5	17	17,50	0,50	+/-0,5
Y1	Pocket placement from CF at bottom	16,5	17,0	17,5	18,5	19,5	20,5	21,5	22,5	23,5	17	17,50	0,50	+/-0,5

All measurements are in centimeters (cm.)

How to measure - not for design



Article: REWE 0805 - Women's Micro Fleece Cardigan

Size		XS	S	M	L	XL	2XL	3XL	4XL	5XL	6XL	Sample	Tolerance
A	½ Chest, Armpit to Armpit	49,0	52,0	55,0	58,0	61,0	64,0	68,0	72,0	77,0	82,0		+/-1
BB	HPS to Waist	40,0	41,0	42,0	43,0	44,0	45,0	46,0	47,0	48,0	49,0		+/-0,5
B	½ Waist	45,0	48,0	51,0	54,0	57,0	60,0	64,0	68,0	73,0	78,0		+/-1
D	½ Bottom	42,0	45,0	48,0	51,0	54,0	57,0	61,0	65,0	70,0	75,0		+/-1
E	Length from HPS, front	64,0	66,0	68,0	70,0	72,0	74,0	76,0	78,0	80,0	82,0		+/-1
E1	Length from HPS, back	68,0	70,0	72,0	74,0	76,0	78,0	80,0	82,0	84,0	86,0		+/-1
FF	HPS to front width	16,50	17,25	18,00	18,75	19,50	20,25	21,00	21,75	23,00	24,25		+/-0,5
F	Front Width	33,0	34,5	36,0	37,5	39,0	40,5	42,5	44,5	47,0	49,5		+/-1
GG	HPS to back width	16,50	17,25	18,00	18,75	19,50	20,25	21,00	21,75	23,00	24,25		+/-0,5
G	Back Width	35,0	36,5	38,0	39,5	41,0	42,5	44,5	46,5	49,0	51,5		+/-1
J1	Armhole Depth from HPS	24,10	25,05	26,00	26,95	27,90	28,85	29,80	30,75	32,20	33,65		+/-0,5
K	Sleeve Length, LS	72,0	73,5	75,0	76,5	78,0	79,5	81,0	82,5	84,0	85,5		+/-1
L	½ Upper arm width	21,00	22,00	23,00	24,00	25,00	26,00	27,25	28,50	30,00	31,50		+/-0,5
M	½ Elbow Width	15,50	16,25	17,00	17,75	18,50	19,25	20,10	20,95	21,95	22,95		+/-0,5
N	½ Sleeve Hem, LS	10,0	10,5	11,0	11,5	12,0	12,5	13,0	13,5	14,0	14,5		+/-0,2
O	Neck Width	19,6	20,3	21,0	21,7	22,4	23,1	23,8	24,5	25,2	25,9		+/-0,5
P	Neck Drop Front from HPS	7,2	7,6	8,0	8,4	8,8	9,2	9,6	10,0	10,4	10,8		+/-0,2
Q	Neck Drop Back from HPS	2,0	2,0	2,0	2,0	2,0	2,0	2,0	2,0	2,0	2,0		+/-0,2
R	Collar, CB	8,0	8,0	8,0	8,0	8,0	8,0	8,0	8,0	8,0	8,0		+/-0,2
RF	Collar, CF	8,0	8,0	8,0	8,0	8,0	8,0	8,0	8,0	8,0	8,0		+/-0,2
R4	Facing width	16,0	17,0	17,0	18,0	18,0	19,0	19,0	20,0	20,0	20,0		+/-0,5
R5	Facing height	8,0	9,0	9,0	9,0	9,0	10,0	10,0	10,0	10,0	10,0		+/-0,5
X	Pocket opening	14,0	15,0	15,0	16,0	16,0	17,0	17,0	18,0	18,0	18,0		+/-0,5
Y	Pocket placement from HPS	42,0	43,0	44,0	45,0	46,0	47,0	48,0	49,0	50,0	51,0		+/-1
Y1	Pocket placement from CF at top	16,5	17,0	17,5	18,5	19,5	20,5	21,5	22,5	23,5	17		+/-0,5
Y1	Pocket placement from CF at bottom	16,5	17,0	17,5	18,5	19,5	20,5	21,5	22,5	23,5	17		+/-0,5

All measurements are in centimeters (cm.)

How to measure - not for design



