

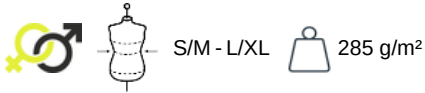


KP227

## "K-loop project" hat

- Optimum traceability.
- Eco-responsible approach based on the KARIBAN BRANDS circular economy.
- Metallic ventilation eyelets for greater comfort.

Hat with metal eyelets. This beanie is part of the "K-loop" project. The cotton used comes from manufacturing cut-offs from cotton clothing produced by the Kariban brand, and the KARIBAN BRANDS range. The added polyester comes from recycled plastic bottles. During the recycling process, tracers are added to the yarn as a unique digital fingerprint. The tracers have a clear tamper-proof code and can therefore unequivocally store in a blockchain all the information from the processes the yarn has been subjected to. The Aware™ tracer technology allows the end consumer to monitor the entire production process with the guarantee of a product recycled according to best practice, with no possible modifications during the process. A special label with a QR code provides access to the Aware™ platform for direct authentication of certifications using a smartphone.



### More information

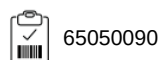
#### Logistic



#### Country of origin



#### Customs code



#### Washing instructions

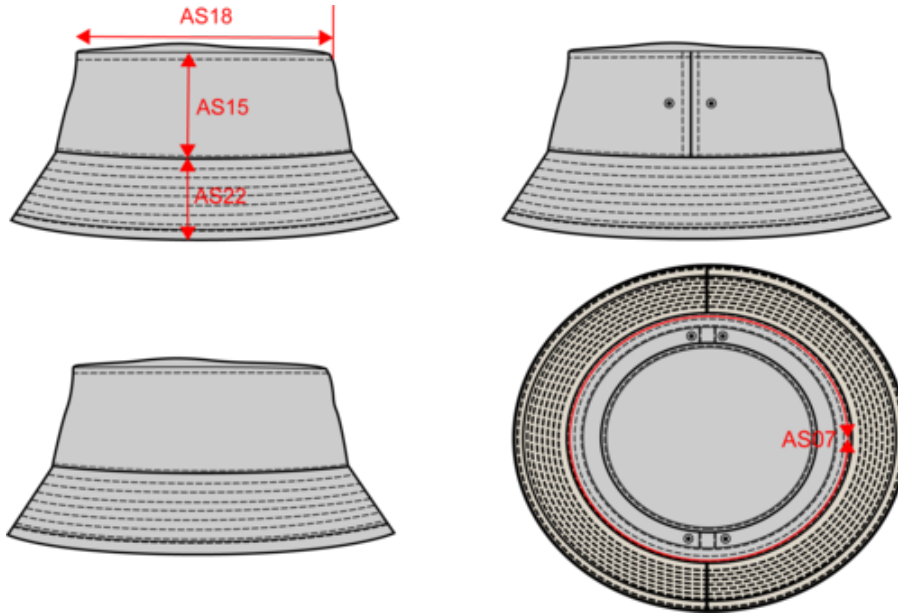




KP227

## "K-loop project" hat

### Dimensions (cm)



| Measurements in cm                         | S/M   | L/XL  |
|--|-------|-------|
| AS07 - Total circumference                 | 56.00 | 58.00 |
| AS15 - Front hat crown height              | 7.50  | 8.00  |
| AS18 - Upper part width from front to back | 16.00 | 16.50 |
| AS22 - Brim width                          | 5.70  | 5.70  |



KP227

## "K-loop project" hat

### Colours information



**Black Jhoot**

RVB : 40,41,43  
Pantone C : 426C  
Pantone TCX : 19-4004TCX



**Navy Blue Jhoot**

RVB : 42,45,53  
Pantone C : 426C  
Pantone TCX : 19-4011TCX



**Oxford Grey Jhoot**

RVB :  
Pantone C :  
Pantone TCX :

Logistic



25



100

| Sizes | Width (cm) | Height (cm) | Length (cm) | Net weight (kg) | Gross weight (kg) | Pieces/Box | Pieces/Bundle |
|-------|------------|-------------|-------------|-----------------|-------------------|------------|---------------|
| S/M   | 40.00      | 0.00        | 60.00       | 0.00000         | 0.00000           | 100        | 0             |
| L/XL  | 40.00      | 0.00        | 60.00       | 0.00000         | 0.00000           | 100        | 0             |