

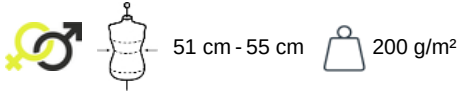


KP883

Recycled microfleece beanie

- Soft, warm and breathable microfleece.
- Sustainable beanie: made from 100% recycled fibres.

100% polyester. Microfleece beanie made from 100% recycled polyester. Tear-away brand label.

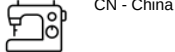


More information

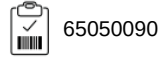
Logistic



Country of origin



Customs code



Washing instructions

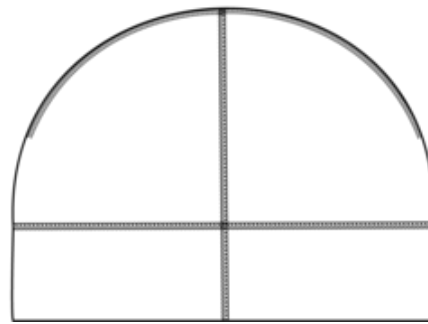
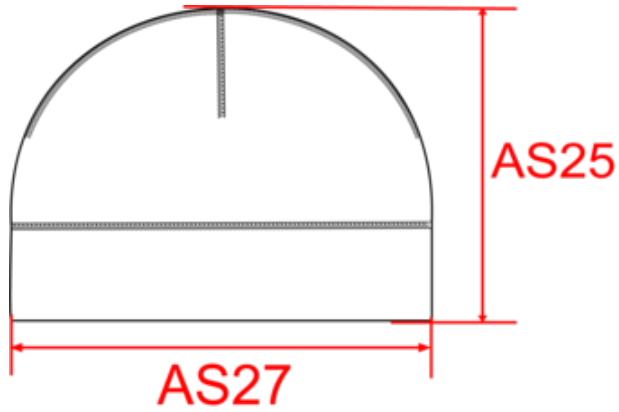




KP883

Recycled microfleece beanie

Dimensions (cm)



Measurements in cm	51cm	55cm
AS20 - Hatband height	5.00	5.50
AS25 - Total height at the highest level	22.00	22.00
AS27 - 1/2 bottom width	26.50	28.50
O66A - Stretched length (minimum required measurement)	34.00	34.00



KP883

Recycled microfleece beanie

Colours information



Black
RVB : 35,35,37
Pantone C : Black
Pantone TCX : 19-4004TCX



Dark Grey
RVB : 63,60,60
Pantone C : 447C
Pantone TCX : 19-0000TCX



Navy
RVB : 41,46,56
Pantone C : 433C
Pantone TCX : 19-4012TCX



Red
RVB : 195,32,54
Pantone C : 200C
Pantone TCX : 19-1664TCX



Royal Blue
RVB : 33,59,127
Pantone C : 7687C
Pantone TCX : 19-3952TCX

Logistic  25  100

Sizes	Width (cm)	Height (cm)	Length (cm)	Net weight (kg)	Gross weight (kg)	Pieces/Box	Pieces/Bundle
51 cm	40.00	17.00	60.00	3.50000	4.50000	100	0
55 cm	40.00	17.00	60.00	3.50000	4.50000	100	0