

# PROACT.®

REFERENCE : PA165

SIZES : XS\_S\_M\_L\_XL\_XXL

**COMPOSITION :**

Main fabric : Polyester interlock - 150 For skirt 100%polyester

Main fabric : Polyester / Elastane SJ-220 For inner brief 90% polyester / 10% elastane

**WEIGHT :**

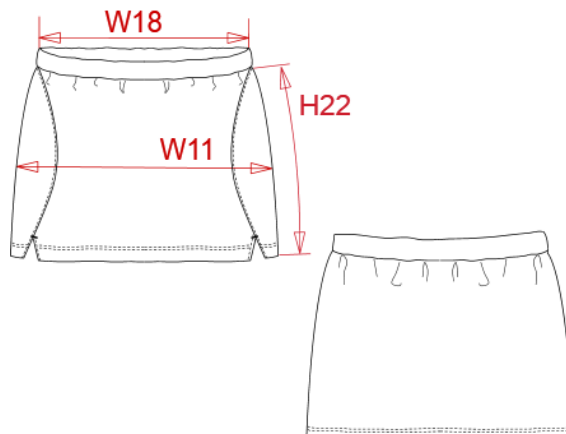
Main fabric : 150 gsm

Main fabric : 220gsm

**TECHNICAL DETAIL :**

**ARTICLE WEIGHT :**

160 gr/pc



DESCRIPTION
<b>Français :</b> Jupe tennis
<b>English :</b> Tennis skirt
<b>Nederlands :</b> Tennisrokje
<b>Deutsch :</b> Tennisrock
<b>Español :</b> Falda de tenis
<b>Italiano :</b> Gonna tennis
<b>Português :</b> Saia de ténis

COLORS	PANTONE SERIGRAPHIE
White	White
Black	Black
Sporty navy	7546C

MEASUREMENT						
Description	XS	S	M	L	XL	XXL
<b>W18</b> 1/2 taille élastiquée / 1/2 elasticated waist	31	34	37	40	43	46
<b>W11</b> 1/2 bassin / 1/2 hip width	42	45	48	51	54	57
<b>H22</b> Longueur côté jupe ceinture non inclus / Side length of skirt non included waistband	27,20	28	29,60	30,30	32	32,75

CARE LABEL				

PACKING	
Box	25 pcs / box All sizes => L:60cm W:40cm H:cm GW:kg NW:kg